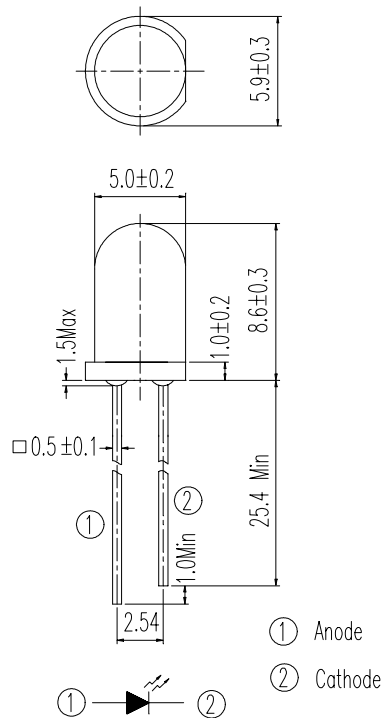




5mm Infrared LED,T-1 3/4

MODEL NO : _____ SIR333 _____

■ Package Dimensions :



■ Notes :

- 1.All dimensions are in millimeter.
- 2.General tolerance : ± 0.1 mm.
- 3.Protruded resin under flange 1.5 mm Max.
- 4.Lead spacing is measured where the lead emerge from the package.
- 5.Lens color : . Blue transparent.
- 6.Above specification may be changed without notice. EVERLIGHT will reserve authority on material change for above specification.
- 7.These specification sheets include materials protected under copyright of EVERLIGHT corporation . Please don't reproduce or cause anyone to reproduce them without EVERLIGHT's consent.
- 8.When using this product , please observe the absolute maximum ratings and the instructions for use outlined in these specification sheets. EVERIGHT assumes no responsibility for any damage resulting from use of the product which does not comply with the absolute maximum ratings and the instructions included in these specification sheets.



5mm Infrared LED,T-1 3/4

MODEL NO : _____ SIR333 _____

■ Typical Electrical/Optical/Characteristics Curves

Fig. 5 Relative Intensity vs. Forward Current

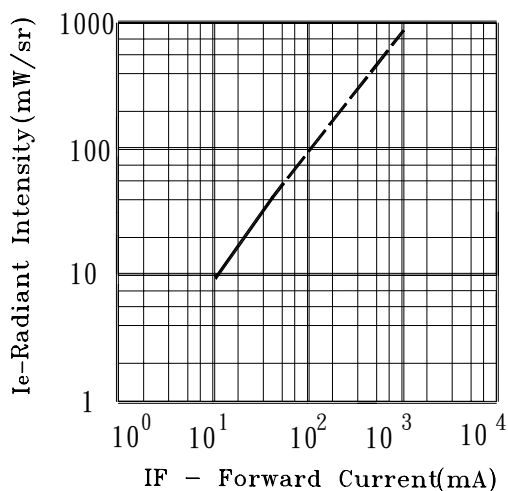


Fig. 6 Relative Radiant Intensity vs. Angular Displacement

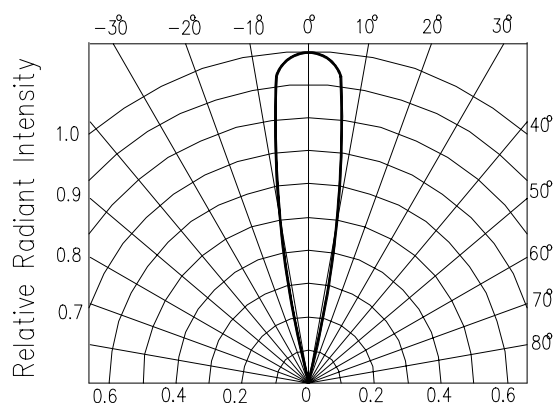


Fig. 7 Relative Intensity vs. Ambient Temperature (°C)

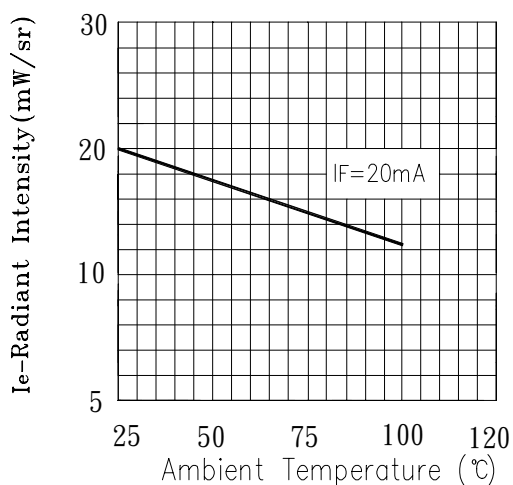
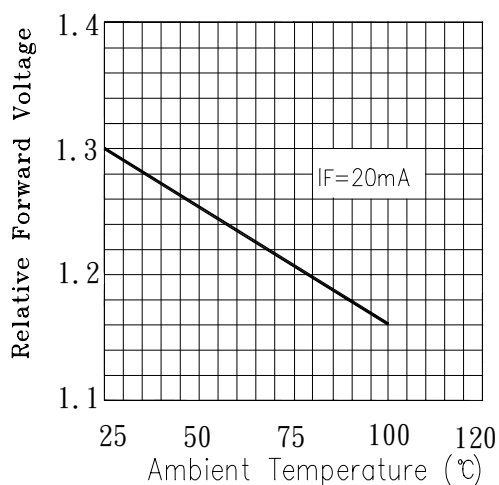


Fig. 8 Forward Current vs. Ambient Temperature (°C)





DEVICE NUMBER : DIS-033-002 REV : 1.3
ECN : _____ PAGE : 7/8

5mm Infrared LED,T-1 3/4

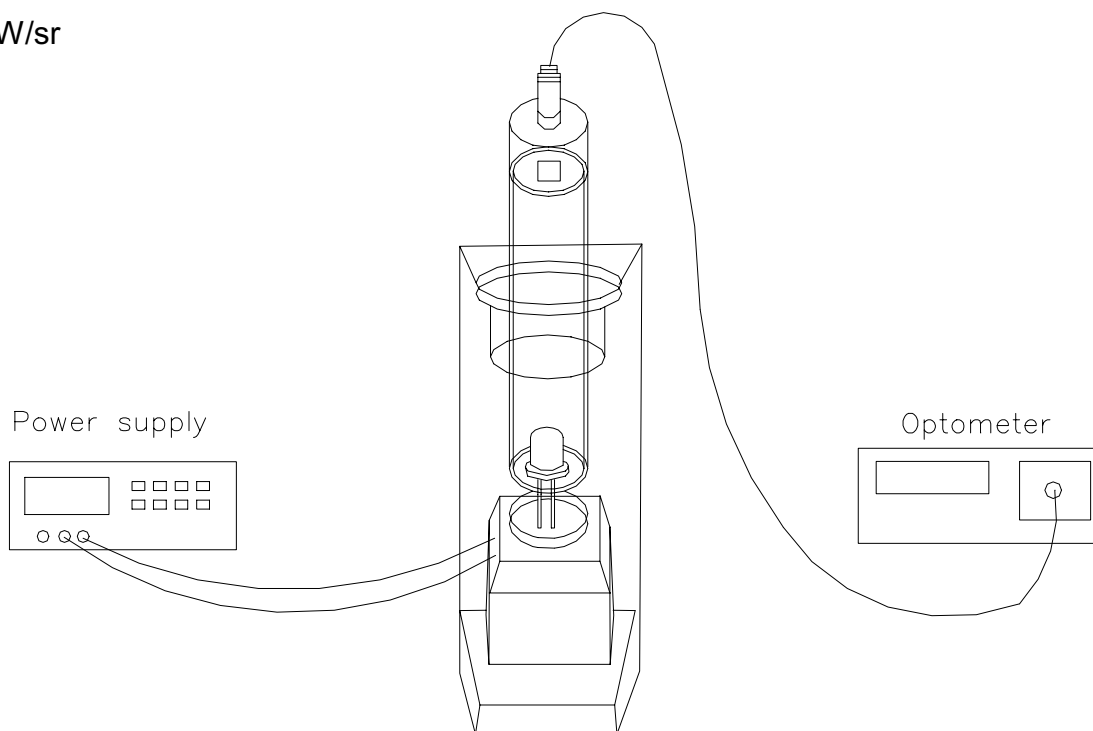
MODEL NO : _____ SIR333 _____

■ Test Method For Power :

Condition : $I_f=20\text{ mA}$

Test Item : Radiant Intensity

Unit : mW/sr



■ To Distinguish Intensity

($T_a=25^\circ\text{C}$)

Condition : $I_f=20\text{m A}$

Unit : mW/sr

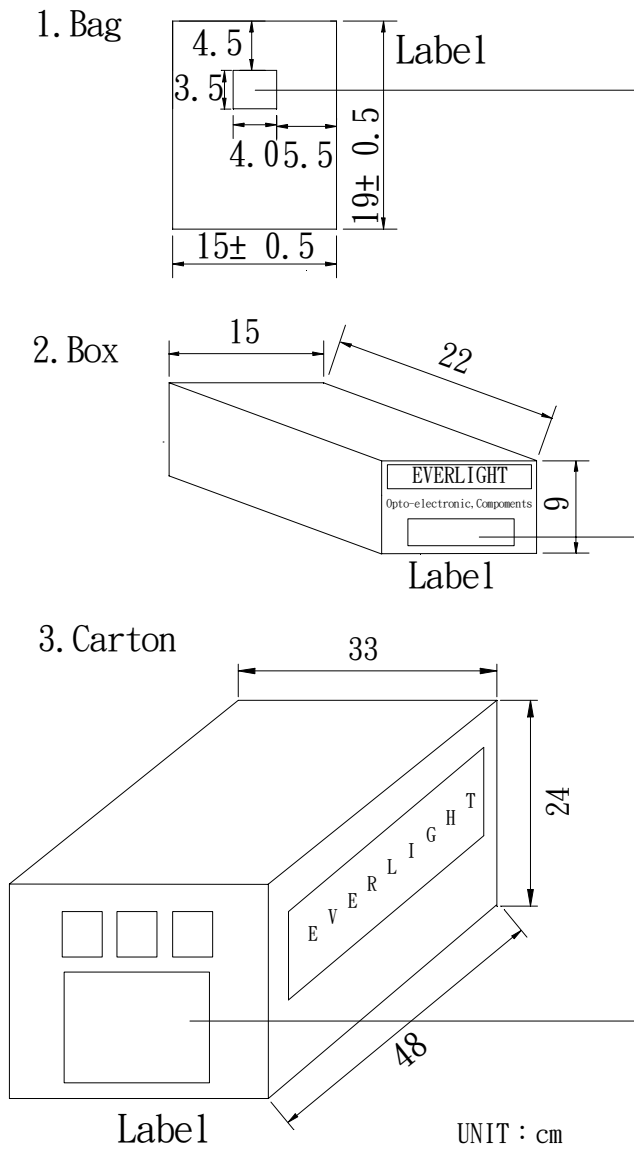
Bin Number	M	N	P	Q
Min	7.8	11.0	15.0	21.0
Max	12.5	17.6	24.0	34.0



5mm Infrared LED,T-1 3/4

MODEL NO : _____ SIR333 _____

■ **Packing Specifications**



EVERLIGHT

CPN:

P/N:



SIR333

QTY:



LOT NO:

CAT:

HUE:

REF:

MADE IN TAIWAN

CPN : Customer's Production Number

P/N : Production Number

QTY : Packing Quantity

CAT : Ranks

HUE : Peak Wavelength

REF : Reference

LOT NO : Lot Number

MADE IN TAIWAN : Production place

■ **Packing Quantity Specification**

1. 500Pcs/1Bag · 6 Bags/1Box

2. 10 Boxes/1Carton